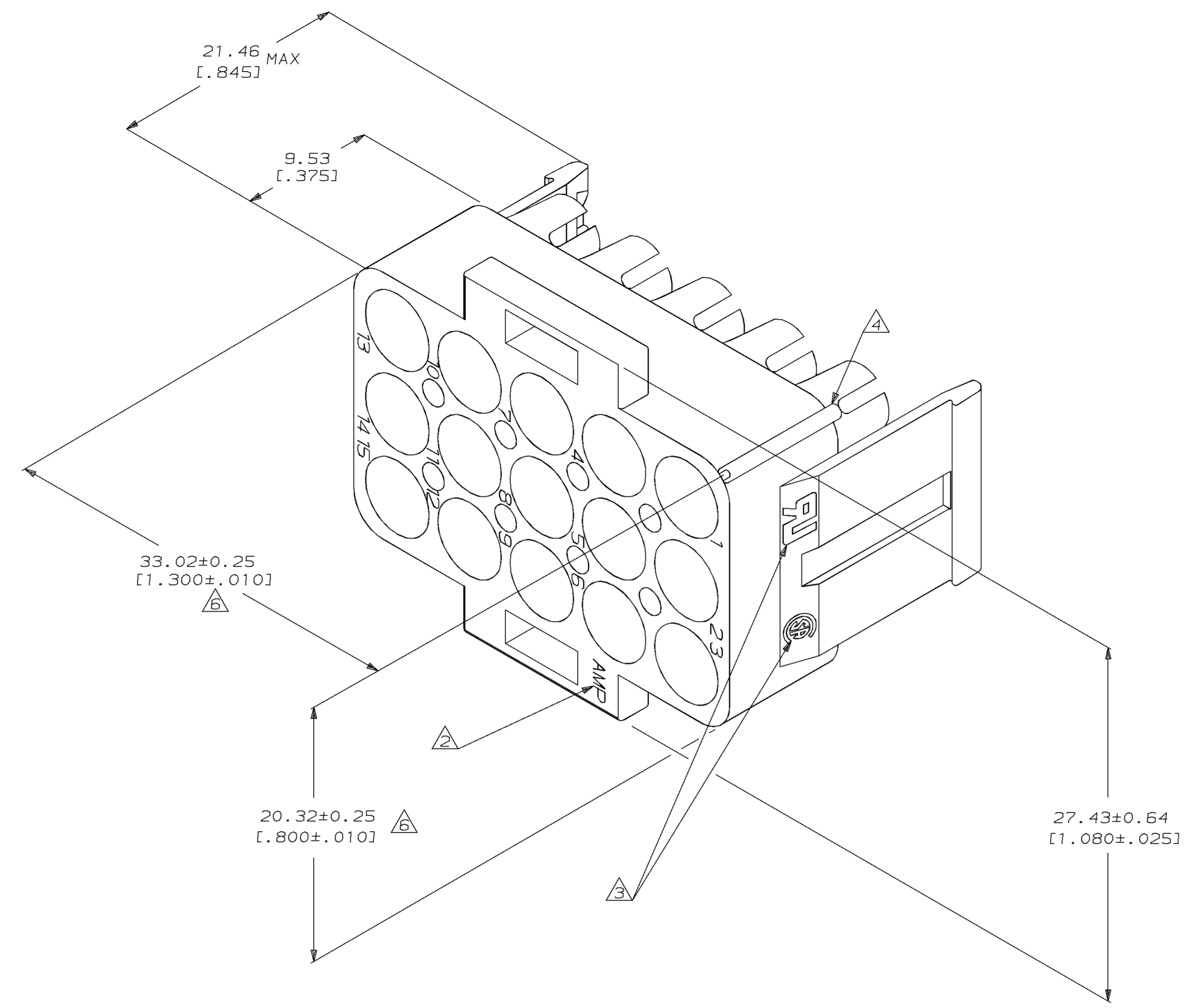


LOC		DIST		P		F		ZONE		LTR		REVISIONS		DATE	APPD
CM	53												REV PER EC 0730-0040-95	4-21-95	RV



- MUST BE ASSEMBLED WITH CAP FRONT P/N 770057-1 BEFORE MATING. KIT P/N IS 770030-1.
- AMP LOGO LOCATED THIS SURFACE.
- UL AND CSA LOGOS LOCATED THIS SURFACE.
- CIRCUIT NO. 1 IDENTIFICATION RIB LOCATED APPROXIMATELY AS SHOWN.
- LOCATION OF CIRCUIT NUMBERS MOVE BUT WILL REMAIN ADJACENT TO APPROPRIATE CAVITY.
- DIMENSION INDICATED IS AS MOLDED. ADDITIONAL GROWTH DUE TO SUBSEQUENT MOISTURE ABSORPTION MAY OCCUR.
- DIMENSIONS IN BRACKETS ARE IN INCHES.

770058-1
PART NUMBER

METRIC

DO NOT SCALE PRINT. UNLESS SPECIFIED DIMENSIONS IN mm TOLERANCES ON + 2 PLC DEC ± 0.13 [.005] ANGLES ±		DR 1-15-92 K. SALMON	AMP INCORPORATED Harrisburg, Pa. 17105	
MATERIAL NYLON, UL94V-0,		CHK 1-15-92 R. SWING	NAME CAP REAR, 15 CIRCUIT, UNIVERSAL MATE-N-LOK™ II	
FINISH		APPD 1-16-92 M. TRULL	SIZE D	FSCM NO 00779
APPLICATION SPEC		APPD 1-16-92 M. TRULL	DRAWING NO 770058	SCALE 5:1
WEIGHT		PRODUCT SPEC	SHEET 1 OF 1	